

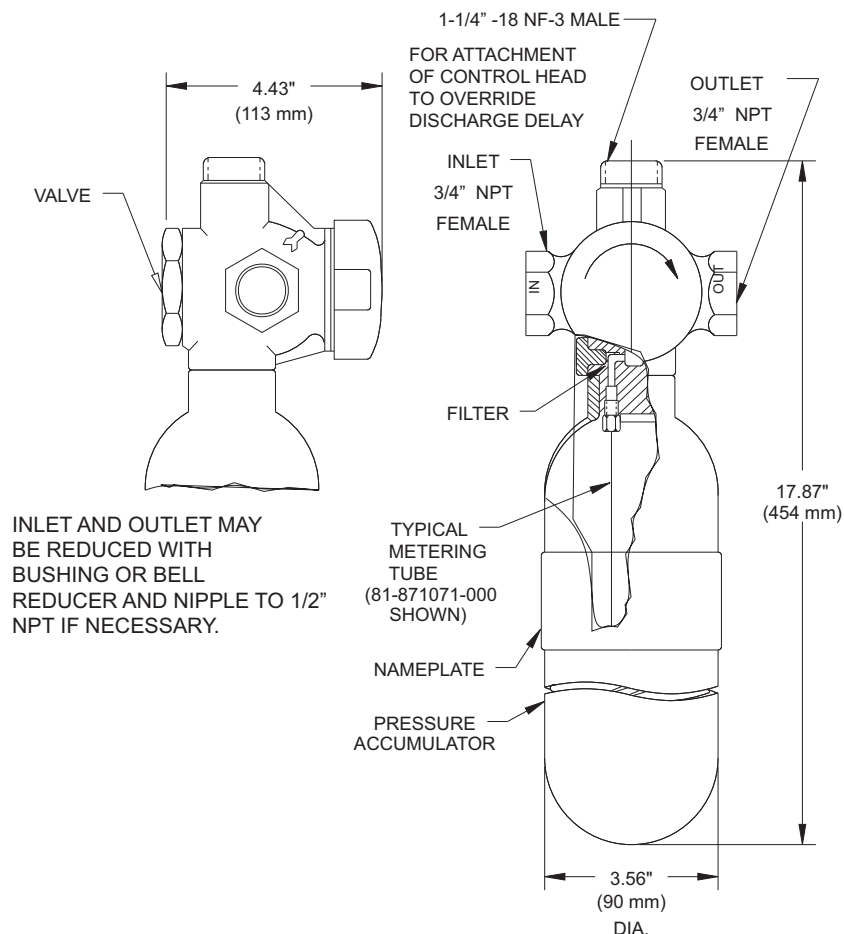
# Kidde Fire Systems HPCO2 Component Description



## Discharge Delays

Effective: April 2022  
K-81-5210 Rev AD

P/N: 81-871071-000 and 1-897636-000



### MATERIALS:

- Pressure Accumulator: Steel
- Metering Tube: Stainless Steel
- Valve Body: Brass
- Finish: Red Paint
- Friction Loss: 15 Equivalent Feet of 3/4-in. Pipe

### Ordering Information

Part Number	Agent	Nominal Delay Time Approx.	Type of Metering Tube
81-871071-000	CO <sub>2</sub>	30	Curled
81-897636-000	CO <sub>2</sub>	60	Curled

This literature is provided for informational purposes only. KIDDE-FENWAL, INC. believes this data to be accurate, but it is published and presented without any guarantee or warranty whatsoever. KIDDE-FENWAL, INC. assumes no responsibility for the product's suitability for a particular application. The fire suppression system design, installation, maintenance, service and troubleshooting must be performed by trained, authorized Kidde Fire Systems distributors for the product to work correctly. If you need more information on this product, or if you have a particular problem or question, contact KIDDE-FENWAL, INC., Ashland, MA 01721 USA. Telephone: (508) 881-2000.

### EXPORT INFORMATION (USA)

Jurisdiction: EAR  
Classification: EAR99  
This document contains technical data subject to the EAR.

All trademarks are the property of their respective owners.  
©2022 Carrier

Kidde Fire Systems  
400 Main Street  
Ashland, MA 01721  
Ph: 508.881.2000  
Fax: 508.881.8920  
[kiddefiresystems.com](http://kiddefiresystems.com)